

# E80L series

90° Wall Mount LED Flashing Lights with buzzer



## Features

- Rated voltage 12 to 24 Volts DC
- LED Technology
- Flashing or continuous mode
- 60-80 flashes per minute
- Available colours amber, blue, red & green
- IP65 Rated (Outdoor use)

## Application

- Indicate movement for automatic gates and doors for added safety.
- Use on forklifts, trucks, cars or warehouses to indicate caution.

## Description

The E80L series of flashing lights flash at a rate of 60-80 flashes per minute when it's powered up. These flashing lights have a built-in buzzer. The flashing action can be switched “off” if not required. The lights can be used in a variety of applications such as warning lights to indicate danger. It can be used on automatic gates, trucks, carts, forklifts and many other applications in an outdoor environment.

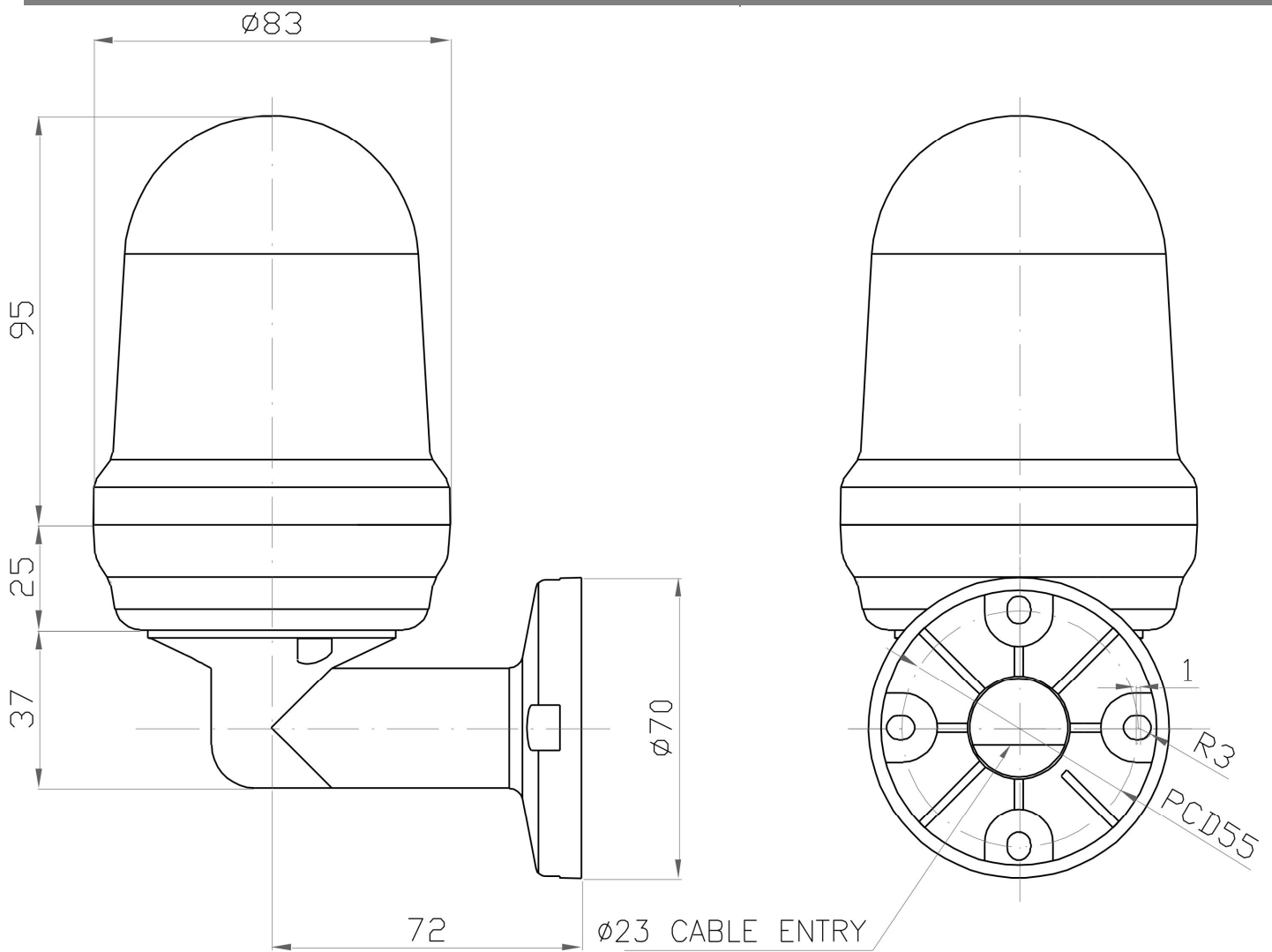
## Technical Data

<b>Power Source</b>	12 to 24 Volts DC	<b>Ordering Code</b>
<b>Current Consumption</b>	180mA	E80L-A <span style="color: orange;">■</span>
<b>Flash rate</b>	60-80 flashes/minute	E80L-B <span style="color: blue;">■</span>
<b>Material</b>	Lens-Polycarbonate, Body-ABS	E80L-R <span style="color: red;">■</span>
<b>Base color</b>	Black	E80L-G <span style="color: green;">■</span>
<b>Buzzer</b>	80 ± 3dB at 1 metre	
<b>Lens colours</b>	Amber, blue, red & green	
<b>Dimensions</b>	147 x 114 mm	

## Flashing Action

Flashing action can be disabled on the E80L series of flasher lights. In order to switch “off” the flashing action follow the steps below:

1. Remove the lens by turning it anti-clockwise.
2. Once removed locate the 1-way selector switch.
3. Setting this switch on “L” position is for steady action and “LF” is for flashing action.
4. After doing these changes make sure you put the lens back on firmly.

**Dimensions****Manufactured by**

**Elsema Pty Ltd**  
31 Tarlington Place, Smithfield  
NSW 2164, Australia  
Ph: 02 9609 4668  
Fax: 02 9725 2663  
Website: <http://www.elsema.com>

**Distributed by**